



- 9 kW
- Cast iron doors
- Double walled construction
- Cast iron grade
- Fireclay firebox
- Flue connection top/rear: 150 mm
- H x W x D: 1176x600x481 mm
- For continuous use
- Fuel: wood, lignite



Double casing



Wood

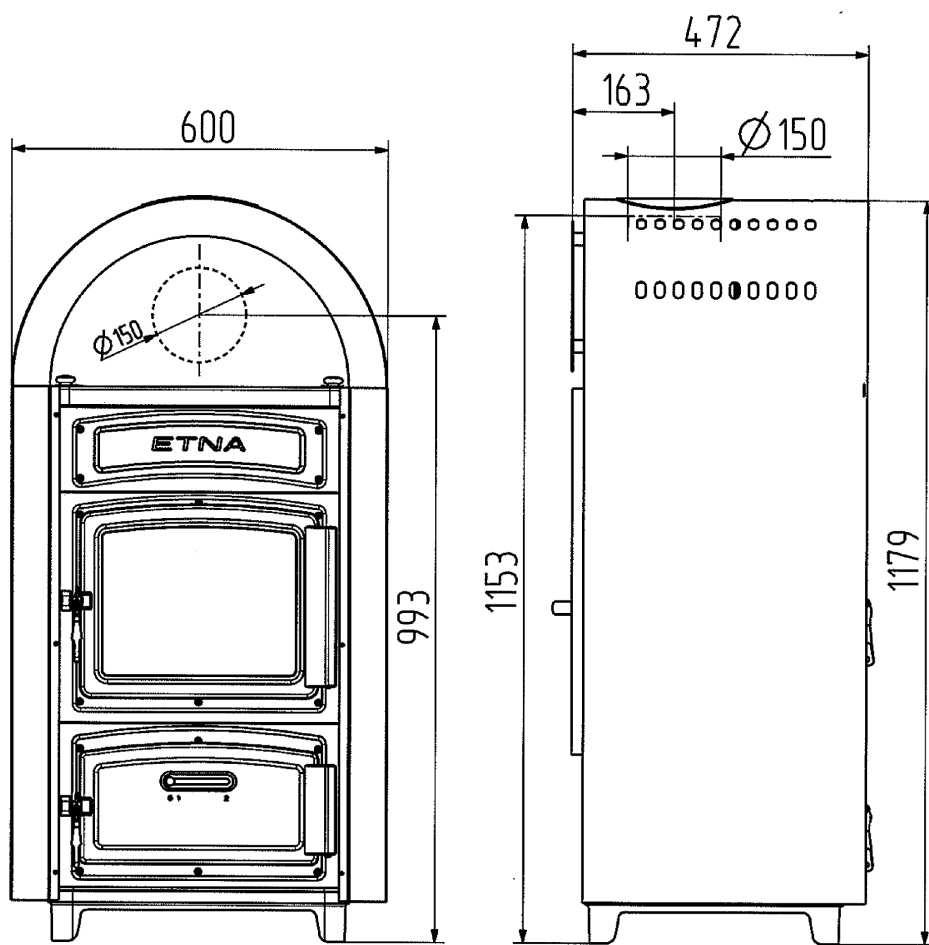


Continuous use



Brown coal

Certification	1.+2.Stufe 1.BImSchV, CE, 15aB-VG, VKF
Heat output (kW)	9
Min-max heat output (kW)	3,7-9,6
Heat capacity (m3)	200
Flue connection back,top (mm)	150
Flue gas quantity (g/s)	8,6
Flue gas temperature (C)	335
Air needs Pa	12
Size H x W x D (mm)	1176x600x481
Fuel	wood, lignite
Window size H x W (mm)	225x300
Firebox size W x D x H (mm)	375x280x410
Net weight (kg)	143



**Wamsler SE**  
3100 Salgótarján, Rákóczi út 53-55  
[www.wamsler.hu](http://www.wamsler.hu)

**WAMSLER**  
SINCE 1875